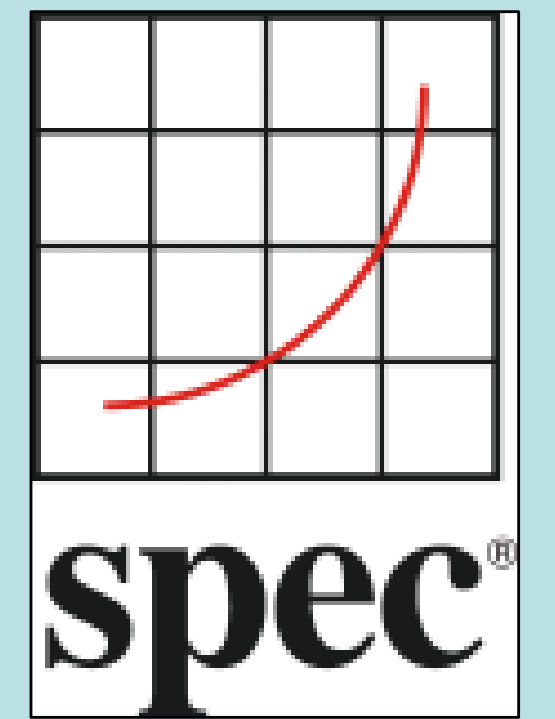


# Enabling Power Measurement

## SPEC Power Temperature Daemon (PTDaemon)

Developed by the Power Subcommittee  
Webpage: [http://www.spec.org/power\\_ssj2008](http://www.spec.org/power_ssj2008)

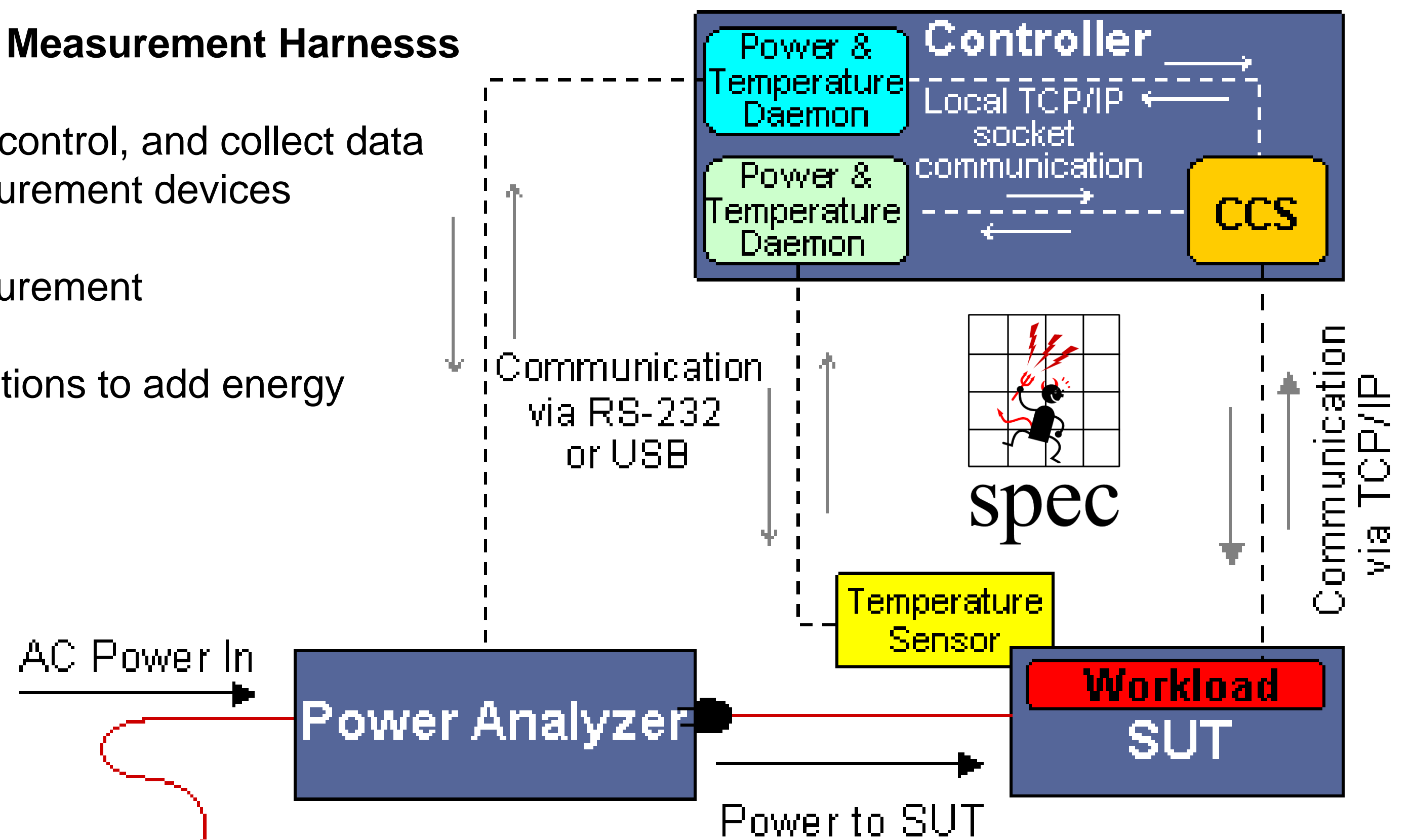


### PTDaemon – a Power and Temperature Measurement Harness

- Infrastructure software to connect, control, and collect data from power and temperature measurement devices
- Enables standardized power measurement
- Enables other benchmark organizations to add energy efficiency to their benchmarks

### Utilized by multiple benchmarks

- SPECpower\_ssj2008
- SPECweb2009
- SPECvirt\_sc2010 (coming soon)
- TPC-Energy
- More to come



## Power Benchmark Methodology Guide

- Best practices guide for benchmarks measuring performance and power
- Publicly available:
  - [http://www.spec.org/power\\_ssj2008](http://www.spec.org/power_ssj2008)
- Benchmark independent
  - Utilized by: SPECpower\_ssj2008, SPECweb2009, and SPECvirt\_sc2010
- Purpose
  - For performance benchmark designers who want to integrate power measurement
  - Serves as an introduction to understanding the relationship between power and performance metrics in benchmarks
  - Applies to existing benchmarks and the design of new benchmarks

